

Anern® 亚能
ANERN QUALITY BETTER THE WORLD



 @Anernsolarlight
 www.Anernstore.com
 group@anern.com

ADDRESS. GUANGZHOU

5th Floor, Building B, No.2817 Kaichuang Avenue, Science Zone, Huangpu District, Guangzhou
TEL: +8620 89269669/89269660

ADDRESS. SHENZHEN

Room 720, Hongfa Center Building, No.1004, Xihu Road, Bao'an District, Shenzhen
TEL: +86775 27802026/27802025



SOLAR LIGHTING



TABLE OF CONTENT

- >>> Solar Street Light
- >>> Solar Garden Light
- >>> Solar Flood Light



ABOUT ANERN

Anern is a high-tech industrial company specialized in R&D and manufacturing of renewable energy products and outdoor solar lights. Established in 2009, Anern Factory boasts a standard solar street light production line and a strong expert team of management, development, manufacturing and marketing.

As a global leader in solar lighting, Anern insists the in-depth understanding of customer needs and adopts the advanced technology and design into each solution of our lighting products.

Anern Solar Street lights have been applied and installed in over 100 countries in Africa, Europe, South America, Southeast Asia, and the Middle East, etc. The Stable product quality and excellent service have won unanimously high praise from our customers both domestic and abroad.





Key Features

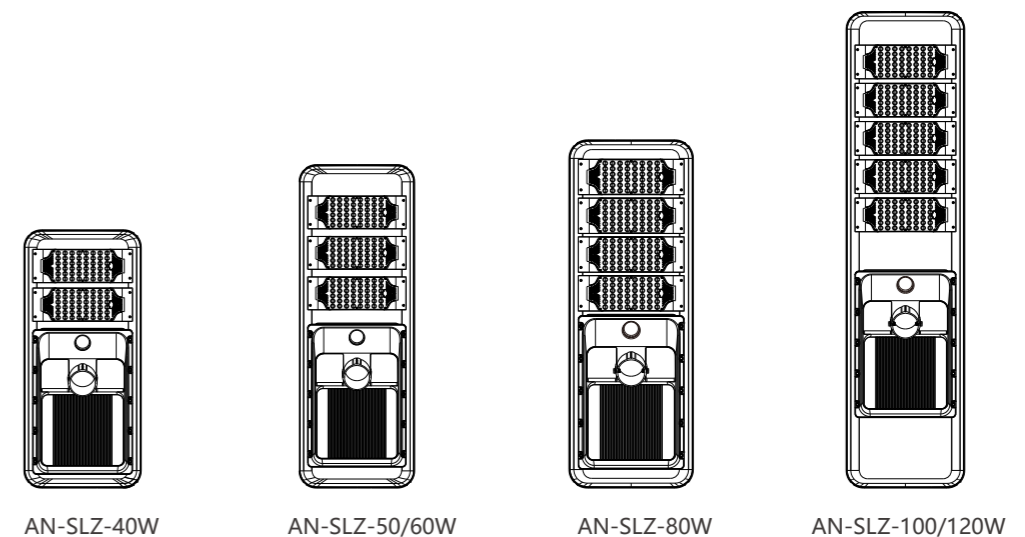
- Elegant all in one structure design, saving transportation cost, easy to install and convenient for maintenance
- 140° wide lighting angle covering wider road area
- Die-cast aluminum bracket, high mechanical strength, anti-wind resistance of level-16
- High power, enlarged capacity led module design, equipped with high-brightness LED chips, improving the brightness by 30%
- Remote control, four lighting modes for choice, flexible to switch via remote control
- Adopt high-efficiency mono solar panel and new lithium battery
- Self-developed intelligent control system, ensure the lighting time and stability

Technical Indexes

Power	40W	50W	60W	80W	100W	120W
Number of LED	96pcs	144pcs	144pcs	240pcs	336pcs	336pcs
LED Luminous	210lm/w					
Battery(LiFePO4)	12.8V24AH	12.8V36AH	12.8V42AH	12.8V54AH	12.8V60AH	12.8V72AH
Solar Panel(Mono)	18V65W	18V70W	18V80W	18V100W	18V130W	18V140W
Solar Charge Time	6-8 hours by bright sunlight					
Backup In Rainy Day	>3 days (Motion sensor mode)					
Lighting Mode	100% light control, Time control, Microwave control, Time & Microwave control					
PIR	120°, >8m					
Size(mm)	848*385*139	1078*385*139	1078*385*139	1548*385*139	1868*385*139	1868*385*139
Material	Aluminium + PMMA					
IP Class	IP66					
IK Class	IK09					
Working Temperature	0°C to 65°C					

AN-SLZ

ENGINEERING LIGHTING FIRST CHOICE





Key Features

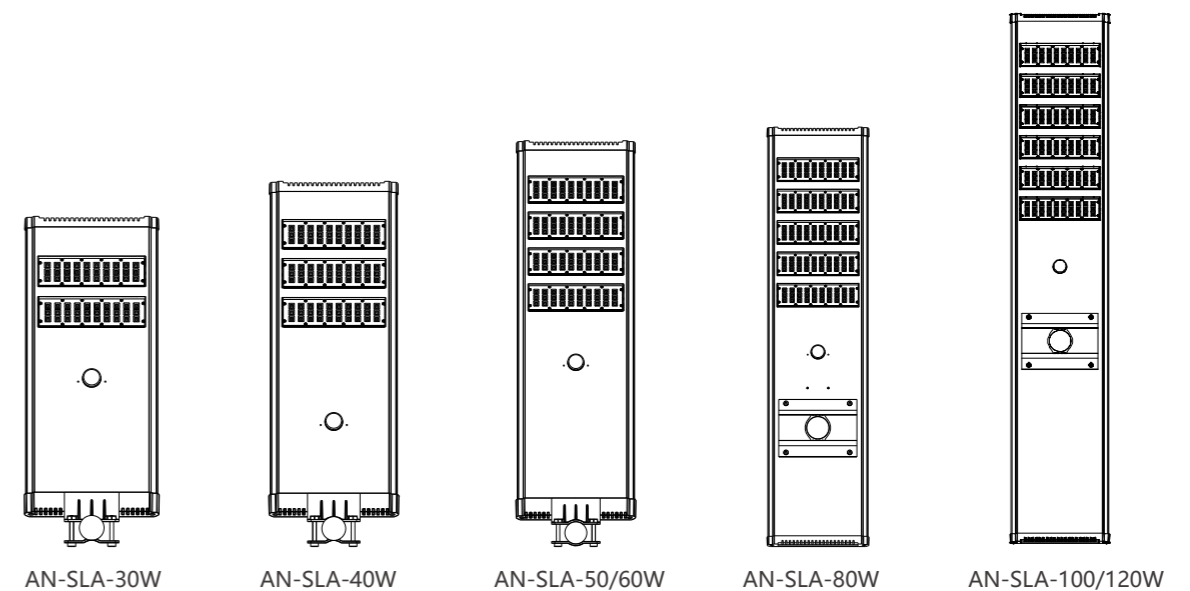
- Elegant all in one structure design, saving transportation cost, easy to install and convenient for maintenance
- 140° wide lighting angle covering wider road area
- Adjustable angle LED module design
- Die-cast aluminum bracket, high mechanical strength, anti-wind resistance of level-16
- Remote control, four lighting modes for choice, flexible to switch via remote control
- Adopt high-efficiency mono solar panel and new lithium battery
- Self-developed intelligent control system, ensure the lighting time and stability

Technical Indexes

Power	30W	40W	50W	60W	80W	100W	120W
Number of LED	60pcs	90pcs	120pcs	120pcs	150pcs	180pcs	180pcs
LED Luminous	210lm/w						
Battery(LiFePO4)	12.8V18AH	12.8V24AH	12.8V36AH	12.8V42AH	12.8V54AH	12.8V60AH	12.8V72AH
Solar Panel(Mono)	18V50W	18V65W	18V70W	18V80W	18V100W	18V130W	18V140W
Solar Charge Time	6-8 hours by bright sunlight						
Backup In Rainy Day	>3 days (Motion sensor mode)						
Lighting Mode	100% light control, Time control, Microwave control, Time & Microwave control						
Size(mm)	755*370*175	895*370*175	1125*370*175	1125*370*175	1540*370*335	1860*370*335	1860*370*335
PIR	120°, >8m						
Material	Aluminium + PMMA						
IP Class	IP65						
IK Class	IK09						
Working Temperature	0°C to 65°C						

AN-SLA

PATENTED DESIGN SOLAR STREET LIGHT





Key Features

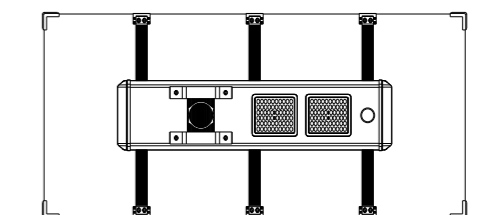
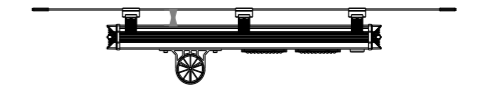
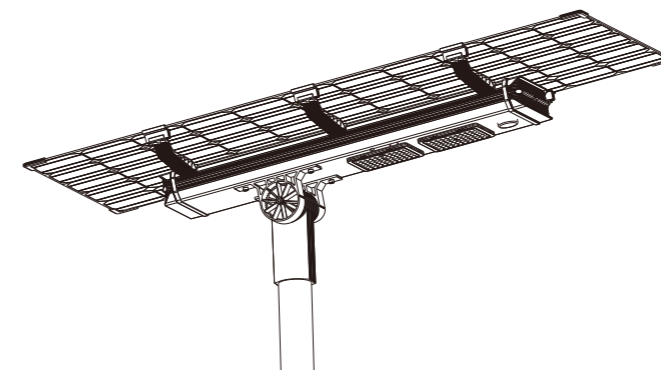
- Independent design of double-sided solar panel, increase power generation up to 30%
- 140° lighting angle covering wider road area
- Adjustable bracket, 180 degree arbitrary adjustment, suitable for different installation way
- Die-cast aluminum bracket, high mechanical strength, Level-16 anti-wind resistance
- Remote control, four lighting modes for choice, flexible to switch via remote control
- Adopt high-efficiency mono solar panel and new lithium battery
- Independent developed intelligent control system, ensure the lighting time and stability
- Big power up to 200W, specially design for project

Technical Indexes

Power	60W	80W	100W	120W	150W	200W
Number of LED	80pcs	80pcs	120pcs	1200pcs	120pcs(5050)	120pcs(5050)
LED Luminous	210lm/w					
Battery(LiFePO4)	12.8V42AH	12.8V54AH	12.8V60AH	12.8V72AH	12.8V90AH	25.6V66AH
Solar Panel(Mono)	18V120W	18V140W	18V160W	18V180W	18V220W	36V260W
Solar Charge Time	6-8 hours by bright sunlight					
Backup In Rainy Day	>3 days (Motion sensor mode)					
Lighting Mode	100% light control, Time control, Microwave control, Time & Microwave control				Time control	
Lamp Size(mm)	970*236*85	1078*385*139	1078*385*139	1548*385*139	1868*385*139	1868*385*139
Solar Panel Size(mm)	1070*517	1280*517	1140*675	1260*675	1560*675	1980*675
PIR	120°, >8m					
Material	Aluminium + PMMA					
IP Class	IP65					
IK Class	IK09					
Working Temperature	0°C to 65°C					

AN-SLX

TOP PERFORMANCE OF THE INDUSTRY





AN-SSL-T

SPLIT TYPE SOLAR STREET LIGHT

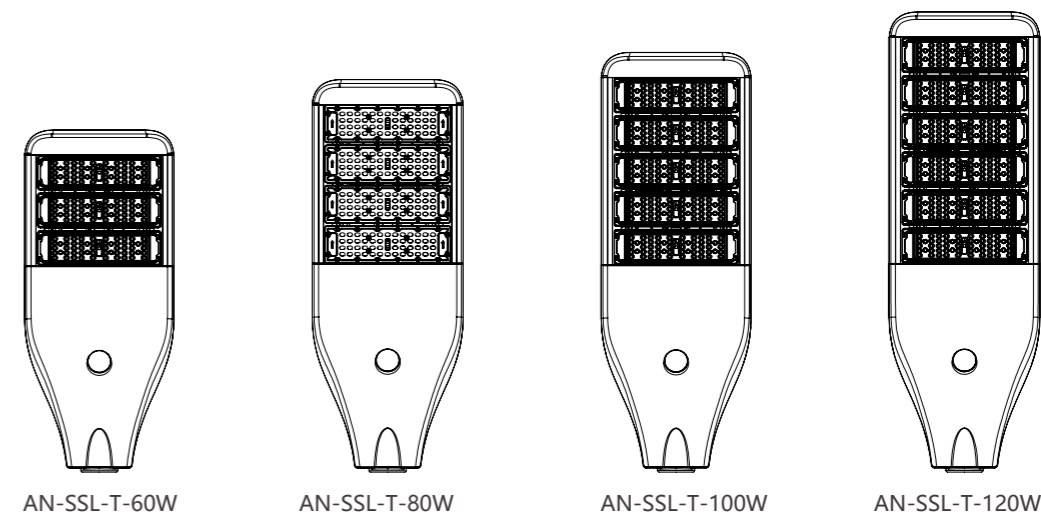


Key Features

- All in two design, one step plug-in for wiring connection, easy to install and maintain
- 140° lighting angle, covering wider road area
- Independent design of solar panel, can increase power generation up to 30%
- Die-cast aluminum bracket, high mechanical strength, Level-16 anti-wind resistance
- Remote control, three lighting modes for choice, flexible to switch via remote control
- Adopt high-efficiency mono solar panel and LiFePO4 lithium battery
- Independent developed intelligent control system, ensure the lighting time and stability

Technical Indexes

Power	60W	80W	100W	120W
Number of LED	150pcs	200pcs	250pcs	300pcs
LED Luminous	210lm/w			
Battery(LiFePO4)	538WH	692WH	768WH	922WH
Solar Panel(Mono)	18V80W	18V100W	18V150W	18V200W
Solar Charge Time	6-8 hours by bright sunlight			
Backup In Rainy Day	>3 days (Motion sensor mode)			
Lighting Mode	100% light control, Time control, Microwave control			
Lamp Size(mm)	690*290*130	760*290*130	840*290*130	920*290*130
Solar Panel Size(mm)	710*670	870*670	1280*670	1130*990
PIR	120°, >8m			
Material	Aluminium + PMMA			
IP Class	IP65			
IK Class	IK09			
Working Temperature	0°C to 65°C			



AN-SSL-T-60W

AN-SSL-T-80W

AN-SSL-T-100W

AN-SSL-T-120W



AN-ISSL-C

NEWLY UPGRADED INTEGRATED SOLAR LIGHT

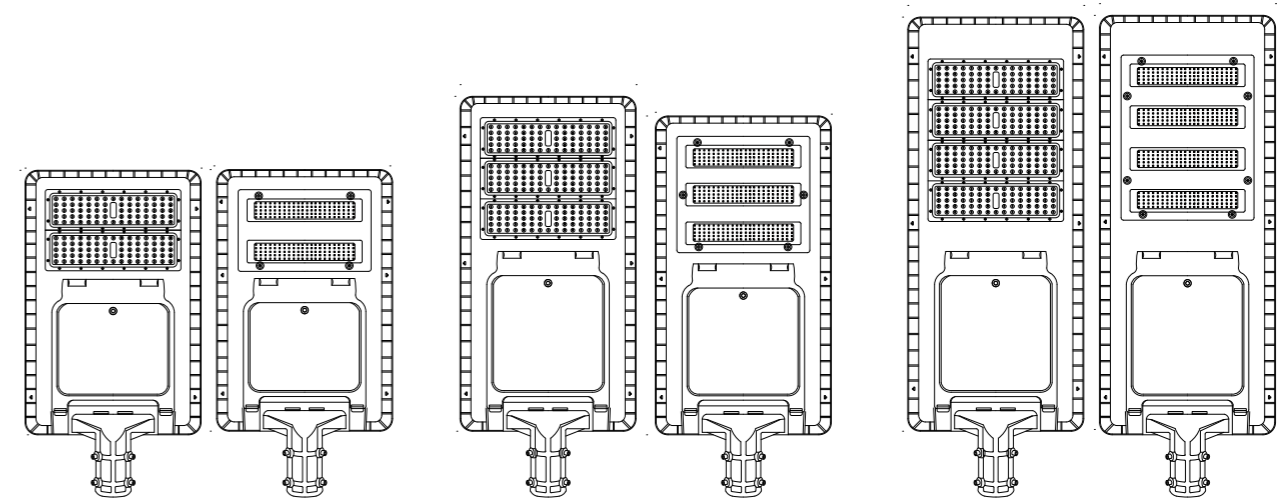


Key Features

- Elegant all in one structure design, saving transportation cost, easy to install and convenient for maintenance
- 140° wide lighting angle covering wider road area
- Adjustable angle lamp arm, can be used in two different types of lamp pole
- Die-cast aluminum bracket, high mechanical strength, anti-wind resistance of level-16
- Snap-type battery box design, convenient for battery and controller maintenance
- Adopt high-efficiency mono solar panel and LiFePO4 lithium battery
- Self-developed intelligent control system, ensure the lighting time and stability

Technical Indexes

Power	60W	80W	100W
Number of LED	144pcs	216pcs	288pcs
LED Luminous		150lm/w	
Battery(LiFePO4)	128WH	160WH	192WH
Solar Panel(Mono)	30W	40W	50W
Solar Charge Time	5-6 hours by bright sunlight		
Backup In Rainy Day	>3 days (Motion sensor mode)		
Lighting Mode	Time control		
PIR Lamp Size(mm)	640*360*100	800*360*100	960*360*100
	120°, >6m		
Material	Aluminium + PMMA		
IP Class	IP65		
IK Class	IK09		
Working Temperature	0°C to 65°C		



AN-ISSL-C-60W

AN-ISSL-C-80W

AN-ISSL-C-100W



AN-SFL02
SOLAR FLOOD LIGHT



Technical Indexes

Power	50W	100W	200W	300W	400W	500W
Number of LED	81pcs	144pcs	216pcs	216pcs	432pcs	432pcs
LED Luminous	160lm/w					
Battery(LiFePO4)	3.2V5000mah	3.2V15000mah	3.2V20000mah	3.2V30000mah	3.2V40000mah	3.2V50000mah
Solar Panel	6W	15W	20W	30W	40W	50W
Solar Charge Time	6-8 hours by bright sunlight					
Backup In Rainy Daye	>2 days (Microwave control)					
Lighting Mode	100% light control, Time control, Microwave control					
Lamp Size	210*175*50mm	260*200*50mm	310*255*50mm	310*255*50mm	370*310*65mm	370*310*65mm
Solar Panel Size	265*175*18mm	400*350*18mm	420*370*18mm	630*250*25mm	670*445*25mm	670*540*30mm
Material	Aluminium + PMMA					
IP Class	IP65					



AN-SFL-AG
SOLAR FLOOD LIGHT

Technical Indexes

Power	50W	100W	150W	200W	250W	300W
Number of LED	28pcs	60pcs	60pcs	60pcs	126pcs	126pcs
LED Luminous	220lm/w					
Battery(LiFePO4)	3.2V6000mah	3.2V10000mah	3.2V15000mah	3.2V20000mah	3.2V25000mah	3.2V30000mah
Solar Panel	6W	10W	15W	20W	25W	30W
Solar Charge Time	6-8 hours by bright sunlight					
Backup In Rainy Daye	>2 days (Microwave control)					
Lighting Mode	100% light control, Time control, Microwave control					
Lamp Size	168*126*35mm	230*172*39mm	230*172*39mm	230*172*39mm	298*225*41mm	298*225*41mm
Solar Panel Size	210*200*17mm	210*340*17mm	390*235*17mm	390*300*17mm	390*360*17mm	390*430*17mm
Material	ABS Plastic					
IP Class	IP65					



Solar Garden Light

AN-ISGL05

Power	60W	120W	180W
Number of LED	210pcs	600pcs	720pcs
LED Luminous	140lm/w		
Battery(LiFePO4)	3.2V10000mah	3.2V15000mah	3.2V20000mah
Solar Panel	12W	18W	24W
Solar Charge Time	6-8 hours by bright sunlight		
Backup In Rainy Day	>2 days (Microwave control)		
Lighting Mode	100% light control, Time control, Microwave control		
Lamp Size	410*200*70mm	650*265*70mm	775*290*70mm
Material	Aluminium		
IP Class	IP65		



AN-ISGL08

Power	300W	400W	500W
Number of LED	392pcs	539pcs	686pcs
LED Luminous	130lm/w		
Battery(LiFePO4)	3.2V15000mah	3.2V20000mah	3.2V30000mah
Solar Panel	16W	25W	30W
Solar Charge Time	6-8 hours by bright sunlight		
Backup In Rainy Day	>2 days (Microwave control)		
Lighting Mode	100% light control, Time control, Microwave control		
Lamp Size	380*530*80mm	390*650*80mm	400*730*80mm
Material	ABS Plastic		
IP Class	IP65		



AN-ISGL09

Power	50W	100W	150W	200W
Number of LED	60pcs	90pcs	120pcs	150pcs
LED Luminous	220lm/w			
Battery(LiFePO4)	3.2V5000mah	3.2V10000mah	3.2V15000mah	3.2V20000mah
Solar Panel	5W	10W	15W	20W
Solar Charge Time	6-8 hours by bright sunlight			
Backup In Rainy Day	>2 days (Microwave control)			
Lighting Mode	100% light control, Time control, Microwave control			
Lamp Size	394*235*48mm	506*242*48.5mm	634*258*52.5mm	717*270*53mm
Material	ABS Plastic			
IP Class	IP65			



MEGA PROJECTS

>>> Over the past 10 years, Anern has successfully completed hundreds of mega government projects in more than 100 countries.



PRODUCTION LINE

>>> Anern has specialized production lines, through international standard management and strict quality control to ensure the stable-performance and high-quality solar products.



HONOR & CERTIFICATES

>>> Since its establishment, Anern has been awarded with many honors and has more than 20 patents for self-developed products.



SOLAR LIGHTING EXPERT

